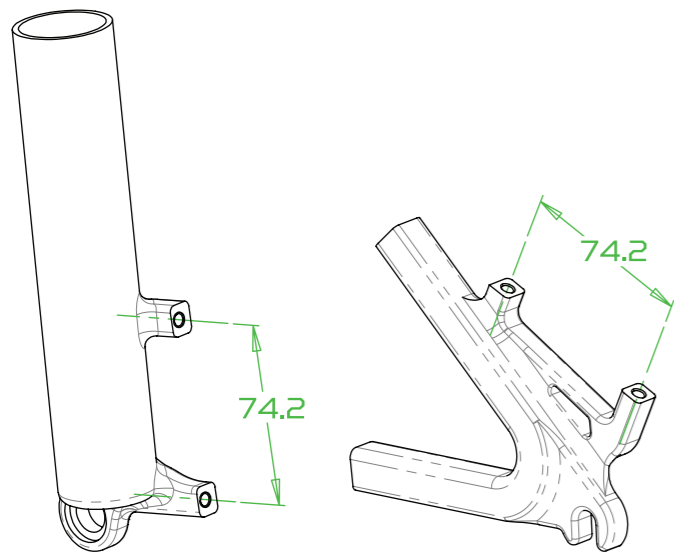




# BRAKE MOUNT

IDENTIFICATION\_2021

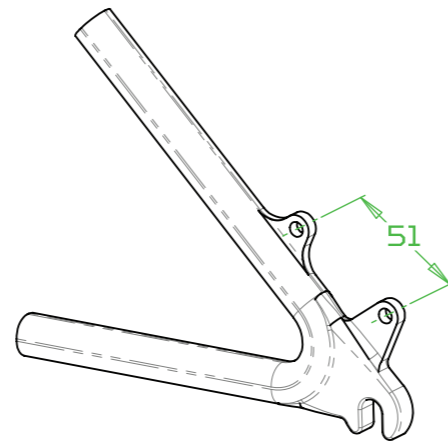


FORK OR FRAME MOUNT TYPE:

### POST MOUNT

M6 threaded holes x2

Many variations: [See Warning at the bottom of page](#)

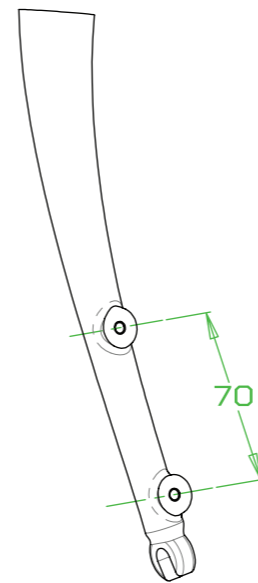


FORK OR FRAME MOUNT TYPE:

### IS - INTERNATIONAL STANDARD

Ø6mm holes x2

Two variations: [IS Front and IS Rear](#)

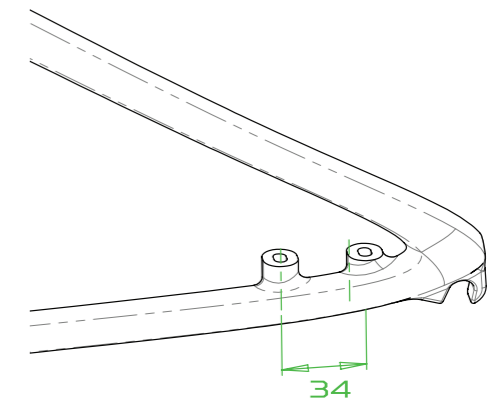


FORK OR FRAME MOUNT TYPE:

### FLAT MOUNT FRONT

M5 threaded holes x2

Two variations: [F140/160 and F160/180](#)



FORK OR FRAME MOUNT TYPE:

### FLAT MOUNT REAR

Oblong holes for M5 screw x2

Two variations: [R140/160 and R160/180](#)



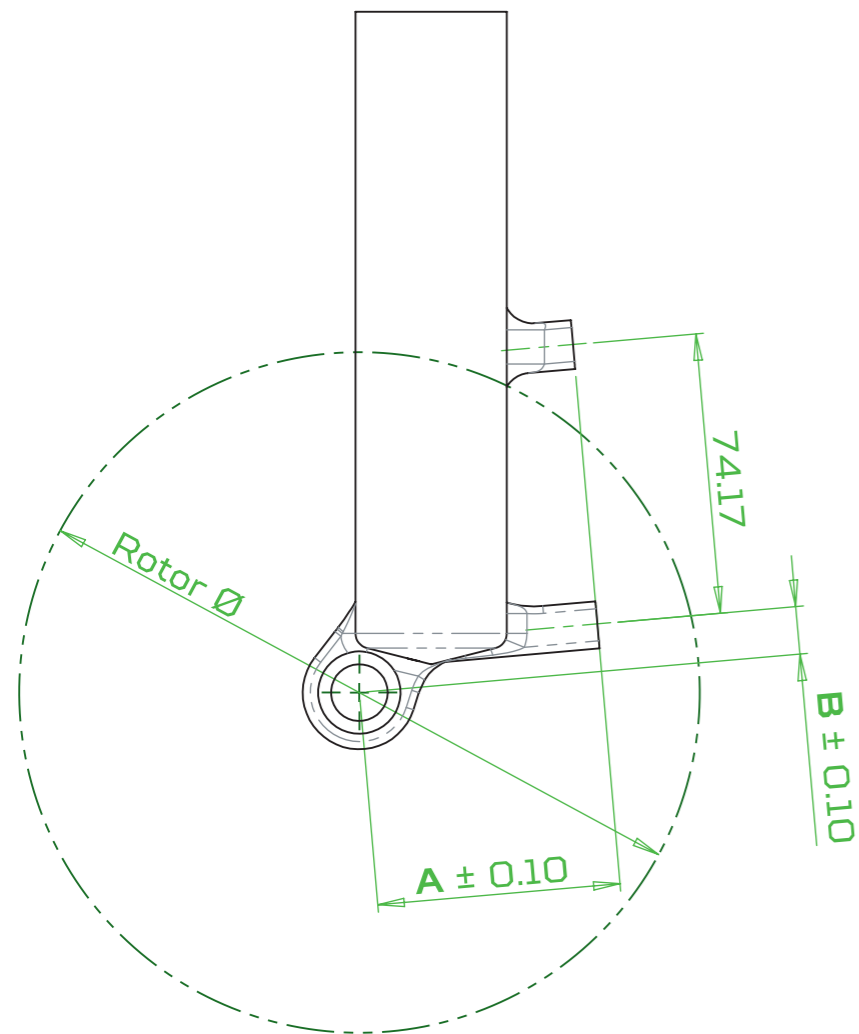
#### NOTE:

Post Mount tab position varies so it will work with different size disc from Ø140mm to Ø203mm.

Post Mount is very common on MTB forks and at the back of most MTB frames.

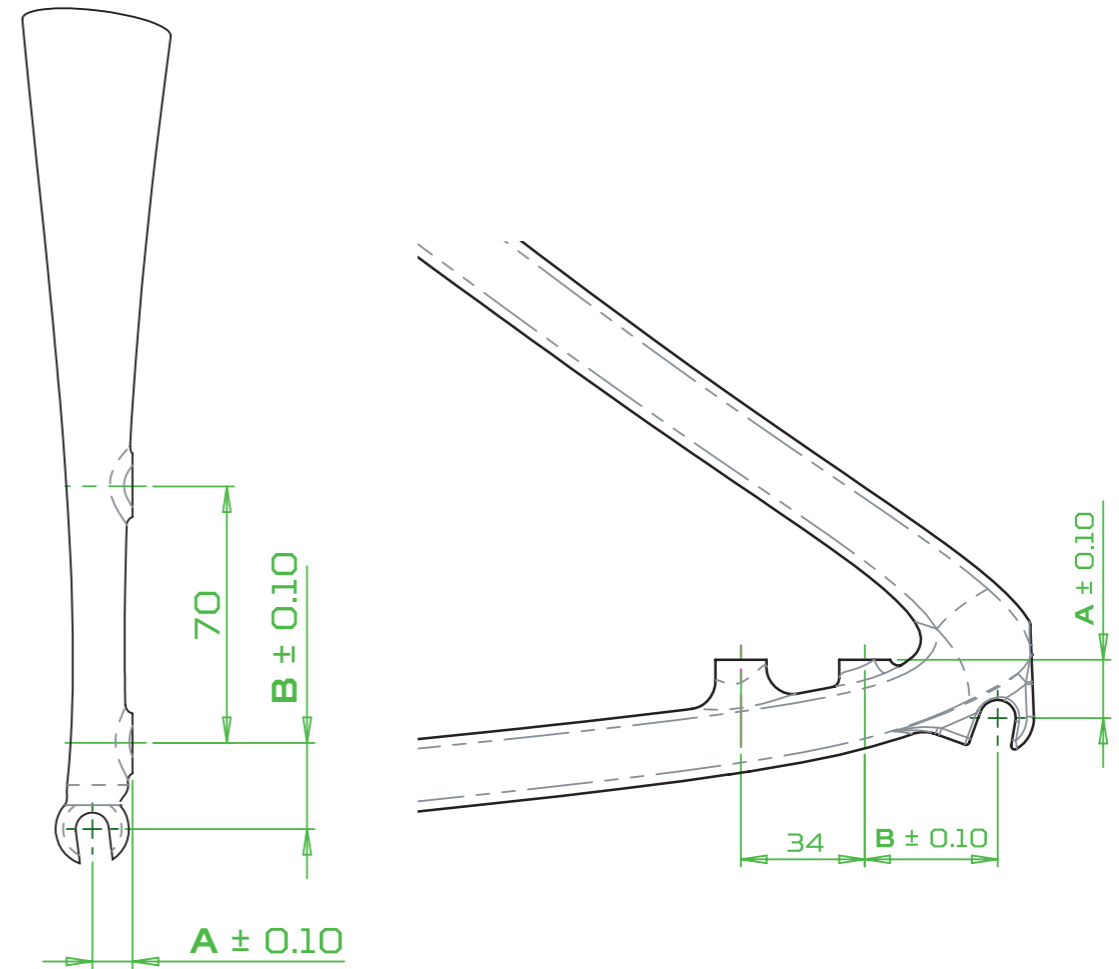
IS can still be found on old forks but more common on frames (IS rear).

Flat Mount is a Road and Gravel bicycle standard.



FRONT: POST MOUNT

POST MOUNT Specification		
Rotor Dia. [mm]	A Dimension [mm]	B Dimension [mm]
140	47.5	1.7
160	55.9	7.1
180	64.3	12.6
200	72.7	18



FRONT: FLAT MOUNT

REAR: FLAT MOUNT

FLAT MOUNT Specification		
Rotor Dia. [mm]	A Dimension [mm]	B Dimension [mm]
Front F140/160	11	23.5
Front F160/180	16.7	32
Rear F140/60	16	36.5
Rear F160/180	21.3	45

**NOTE:** Sometimes the rear type mounts can be found on front forks!



**NOTE:**

A Post Mount caliper will fit directly on the forks or frame using the corresponding rotor diameter. If you wish to use a larger rotor, you'll have to use a brake

mount adaptor. See brake mount chart.

There is a specific chart for the fitting of Hope RX4+ calipers on Flat Mounts.